



2.14

15EJM24-33 TYPE

Proportional Pressure Reducing Valve

Max. pressure (bar / psi)	100 / 1450
Peak flow (L/min / gpm)	40 / 10.57

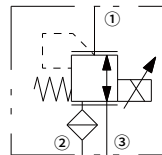
Features

- Quick response
- Compact size
- Oil-immersed DC solenoid

Contents

Description	02
Operation	02
Technical data	02
Ordering code	03
Materials	03
Performance	04
Dimensions	05

Symbol



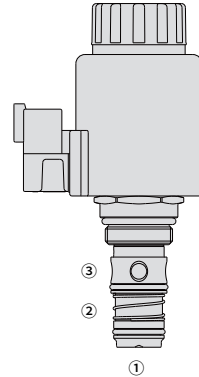
Description

A screw-in, cartridge-style, direct-acting, spool-type reducing/relieving valve, which can be infinitely adjusted across a prescribed range using a variable electric input. Pressure output is proportional to DC current input. This valve is intended for use as a pressure control device in demanding applications.

Operation

Without applied current, 15EJM24-33 allows flow from ① to port ③ while blocking ② .

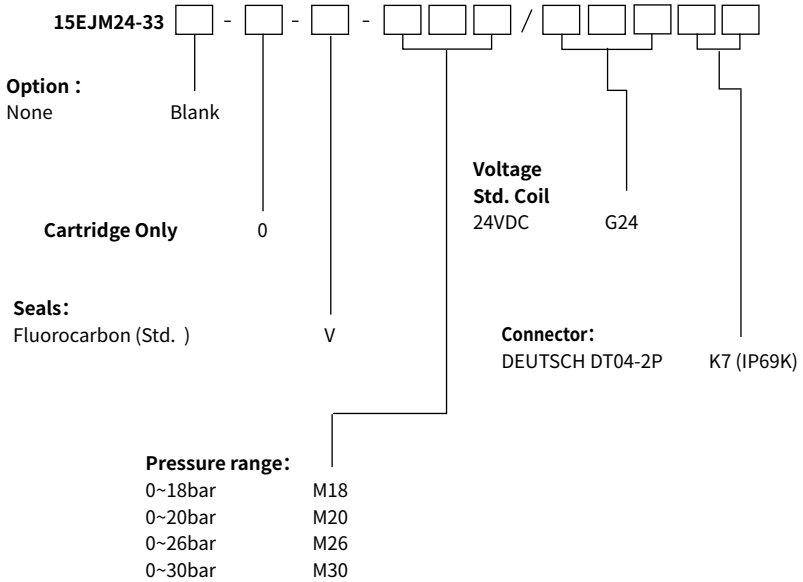
When energized, the valve core moves, allows flow from ② to ① , and pressure at port ① is proportional to the current value. At this time, if the pressure at port ① exceeds the setting induced by the coil, pressure is relieved from port ③ .



Technical Data

Max. pressure	100 bar (1450 psi)
Peak flow	40 L/min(10.57 gpm)
Internal leakage	Energized: ≤ 300 mL/min @50 bar De-energized: ≤ 200 mL/min @50 bar
Hysteresis	M18 / M20: ≤ 1.5 bar M26 / M30: ≤ 2 bar
Repetition accuracy	$\leq 2\%$ maximum control pressure
Step response (0 \rightarrow 100%; 100% \rightarrow 0)	≤ 60 ms @50 bar
Maximum control current	0.7A (24VDC coil)
Coil resistance at 20 ° C	22.5 Ω (24VDC coil)
Cavity	VCM24-3 (See technical reference)
Fluid	Mineral-based or synthetics with lubricating properties
Viscosity range	7.4 to 420 mm ² /s
Temperature range	-26 to 204 °C (Fluorocarbon seals)
Degree of fluid contamination	The minimum pollution level is ISO4406 level 20/18/15, and level 17/15/13 is recommended to prolong the service life

Ordering Code



02

Materials

Cartridge:

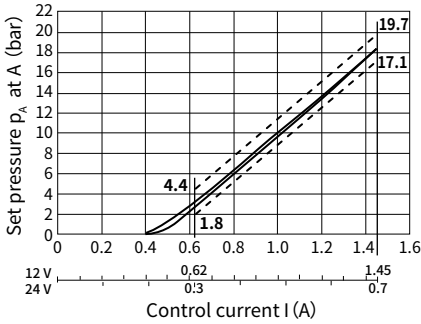
Weight: 0.3 kg; Steel with hardened work surfaces. Zinc-Nickel plated exposed surfaces; Fluorocarbon (Std.) seal.

Coil:

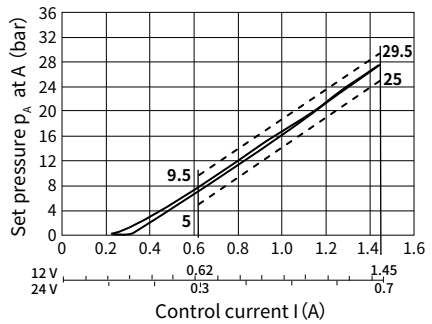
Weight: 0.4 kg; Perfect wound, fully encapsulated with rugged external metal shell; Rated up to IP69K with Deutsch sockets.

Performance (Cartridge Only)

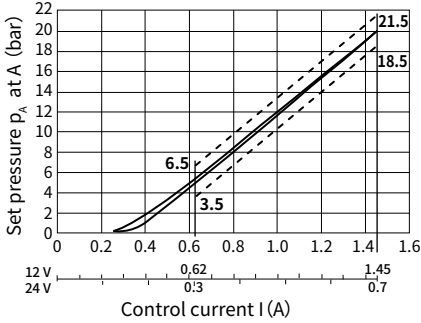
▼ Control pressure 18 bar



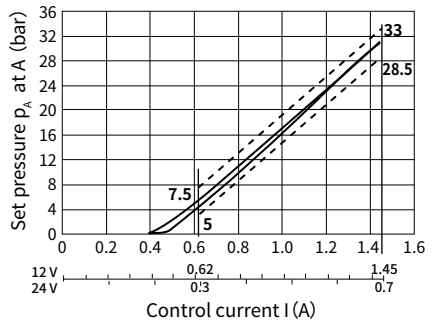
▼ Control pressure 26 bar



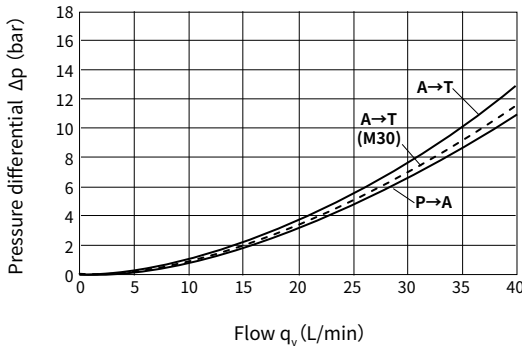
▼ Control pressure 20 bar



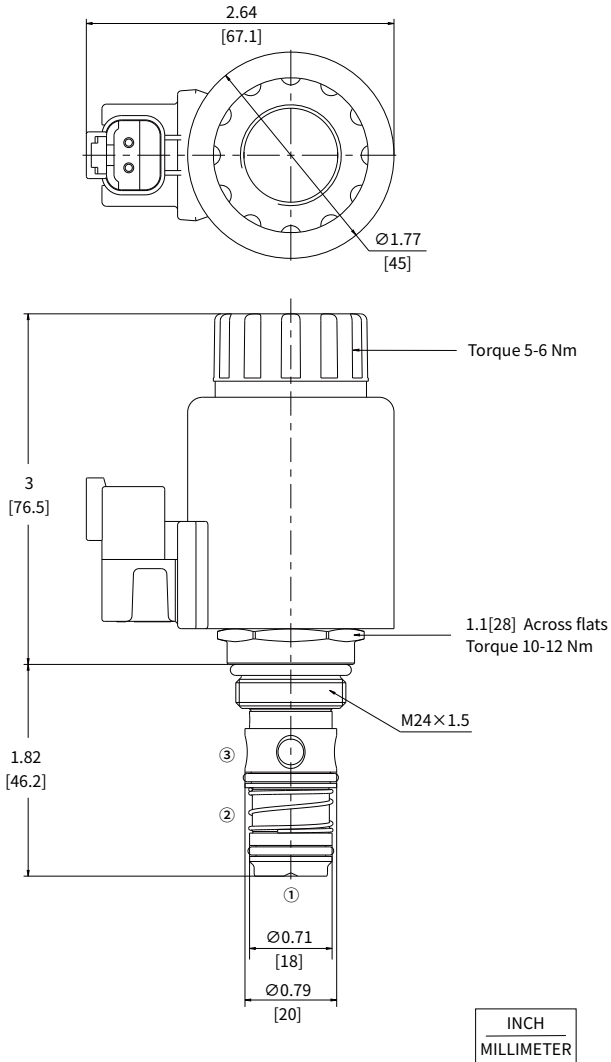
▼ Control pressure 30 bar



Flow Characteristics (Cartridge Only)



Dimensions



02

China

+86 400 101 8889

America

+01 630 995 3674

Germany

+49 (30) 72088-0

Japan

+81 03 6809 1696



© This brochure can be reproduced, edited, reproduced or transmitted electronically without the authorization of Hengli Hydraulic Company. Due to the continuous development of the product, the information in this brochure is not specific to the specific conditions or applicability of the industry, thus, Hengli does not take any responsibility for any incomplete or inaccurate description.